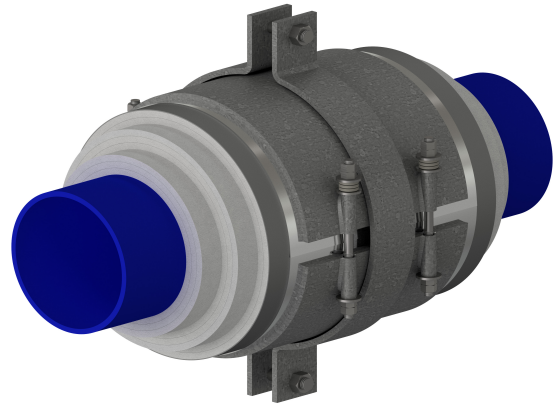
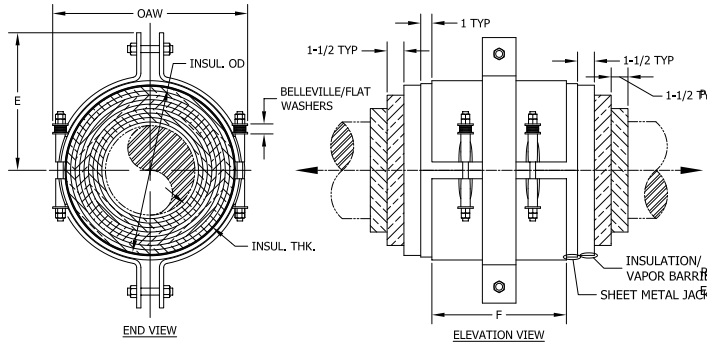


CHCW - 8 x 30 - 9 - 6.9 - 1200

Model No. Nominal Pipe Size Insulation Thickness Support Length (F) E (in) Vertical Load

DESIGNATION EXAMPLE

CryoWrap Hanging Support



NOTES:

1) All dimensions in inches unless noted.

PIPE SIZE	VERT. LOAD (Lbs)	INSULATION THICKNESS																			
		10mm				20mm				30mm				40mm				50mm			
		INSUL. OD (in)	F (in)	OAW (in)	E (in)	INSUL. OD (in)	F (in)	OAW (in)	E (in)	INSUL. OD (in)	F (in)	OAW (in)	E (in)	INSUL. OD (in)	F (in)	OAW (in)	E (in)	INSUL. OD (in)	F (in)	OAW (in)	E (in)
Do you need special loads or dimensions for this design? Please contact us at (713) 466-4777 or sales@rilco.com!																					
1"	60	2.2	9	4	2.4	2.9	9	7.5	2.7	3.7	9	8.5	3.1	4.5	9	9.5	3.5	5.3	9	10.5	3.9
1-1/2"	90	2.7	9	4.5	2.6	3.5	9	7.5	3	4.3	9	8.5	3.4	5.1	9	9.5	3.8	5.9	9	10.5	4.2
2"	130	3.2	9	5	2.9	4	9	7.5	3.3	4.8	9	8.5	3.7	5.6	9	9.5	4.1	6.4	9	10.5	4.5
2-1/2"	195	3.7	9	5.5	3.1	4.5	9	8	3.5	5.3	9	8.5	3.9	6.1	9	9.5	4.3	6.9	9	10.5	4.7
3"	235	4.3	9	7.5	3.4	5.1	9	8.5	3.8	5.9	9	9	4.2	6.7	9	9.5	4.6	7.5	9	10.5	5
4"	305	5.3	9	10	3.9	6.1	9	10.5	4.3	6.9	9	11.5	4.7	7.7	9	12	5.1	8.5	9	13	5.5
6"	670	7.5	9	12	5	8.2	9	12.5	5.4	9	9	13.5	5.8	9.8	9	14	6.2	10.6	9	15	6.6
8"	1200	9.5	9	14	6.2	10.2	9	15	6.5	11	9	15.5	6.9	11.8	9	16.5	7.6	12.6	9	17	8
10"	1550	11.6	9	16	7.5	12.4	9	17	7.9	13.2	9	17.5	8.3	13.9	9	18.5	8.6	14.7	9	19	9
12"	3000	13.6	12	17	9	14.4	12	18	9.4	15.2	12	19	11	15.9	12	19.5	11.3	16.7	12	20.5	11.7
14"	3300	14.8	12	19	9.7	15.6	12	20	11.3	16.4	12	21	11.7	17.2	12	21.5	12.1	18	12	22.5	12.5
16"	3800	16.8	12	21.5	11.9	17.6	12	22.5	12.3	18.4	12	23.5	12.7	19.2	12	24	13.1	20	12	25	13.5
18"	4250	18.8	12	23.5	13	19.6	12	24.5	13.4	20.4	12	25.5	13.8	21.2	12	26	14.2	22	12	27	14.6
20"	4750	20.8	12	27.5	14	21.6	12	28.5	14.4	22.4	12	29.5	14.8	23.2	12	30	15.6	24	12	31	16
24"	8850	24.8	15	33.5	16.8	25.6	15	34.5	18.1	26.4	15	35.5	18.5	27.2	15	36	18.9	28	15	37	19.3
30"	11050	30.8	15	39.5	20.9	31.6	15	40.5	21.3	32.4	15	41.5	21.7	33.2	15	42	22.1	34	15	43	22.5
36"	13250	36.8	15	46	24.2	37.6	15	47	24.6	38.4	15	47.5	25	39.2	15	48.5	25.4	40	15	49	25.8
42"	15500	42.8	15	52	28.1	43.6	15	53	28.5	44.4	15	53.5	28.9	45.2	15	54.5	29.3	46	15	55	29.7

Applications & Features:

- Temperature range to -460 Deg F to 195 Deg F
- Higher temperature applications available
- Design loads based on a safety factor of 5
- A36 steel construction
- See technical specification RCS-750
- Test results available upon request
- Steel finish available in galvanized finish or painted
- Increased loading capability available. Contact Rilco for additional information
- Support constructed in accordance with ASME B31.1, B31.3 and MSS-SP58
- A307 or A193 B7 plated bolts/studs

For special applications or for information on other insulation thicknesses or pipe sizes, please contact us!

Ordering Instructions:

- To Order, Please Specify:
- Model Number
 - Nominal Pipe Size
 - Insulation Thickness
 - E
 - Support Length (F)
 - Vertical Load
 - Movements

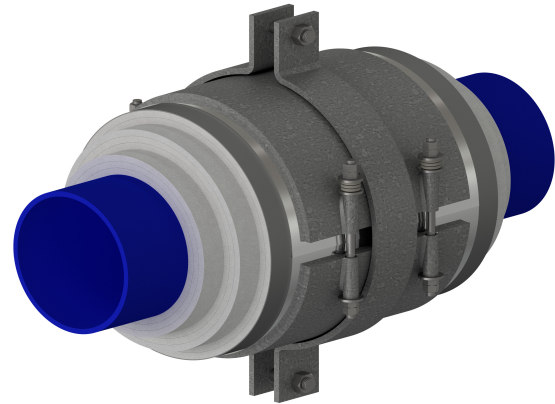
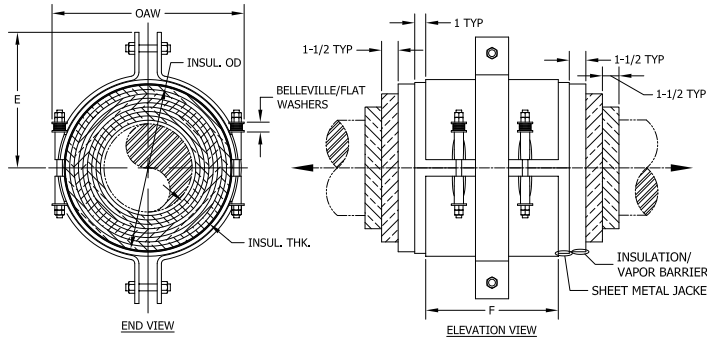
* See page 69 of this catalog for new designation model number construction.

** Information presented on this page subject to change without notice.

CHCW - 8 x 30 - 9 - 6.9 - 1200

Model No. Nominal Pipe Size Insulation Thickness Support Length (F) E (in) Vertical Load

DESIGNATION EXAMPLE



NOTES:

1) All dimensions in inches unless noted.

PIPE SIZE	VERT. LOAD (lbs)	INSULATION THICKNESS																			
		60mm				70mm				80mm				90mm				100mm			
		INSUL. OD (in)	F (in)	OAW (in)	E (in)	INSUL. OD (in)	F (in)	OAW (in)	E (in)	INSUL. OD (in)	F (in)	OAW (in)	E (in)	INSUL. OD (in)	F (in)	OAW (in)	E (in)	INSUL. OD (in)	F (in)	OAW (in)	E (in)
Do you need special loads or dimensions for this design? Please contact us at (713) 466-4777 or sales@rilco.com!																					
1"	60	6.1	9	12.5	4.3	6.9	9	12.5	4.7	7.7	9	12.5	5.1	8.5	9	12.5	5.5	9.2	9	12.5	5.9
1-1/2"	90	6.7	9	12.5	4.6	7.5	9	12.5	5	8.2	9	12.5	5.4	9	9	12.5	5.8	9.8	9	12.5	6.2
2"	130	7.1	9	12.5	4.8	7.9	9	12.5	5.2	8.7	9	12.5	5.6	9.5	9	12.5	6	10.3	9	13	6.4
2-1/2"	195	7.6	9	12.5	5.1	8.4	9	12.5	5.5	9.2	9	12.5	5.9	10	9	12.5	6.3	10.8	9	13.5	6.7
3"	235	8.3	9	12.5	5.4	9.1	9	12.5	5.8	9.8	9	12.5	6.2	10.6	9	13.5	6.6	11.4	9	14.5	7
4"	305	9.3	9	14	5.9	10.1	9	14.5	6.3	10.8	9	15.5	6.7	11.6	9	16	7.1	12.4	9	17	7.5
6"	670	11.4	9	16	7	12.2	9	16.5	7.4	13	9	17.5	7.8	13.8	9	18	8.2	14.5	9	19	8.5
8"	1200	13.4	9	18	8.4	14.2	9	18.5	8.8	15	9	19.5	9.2	15.8	9	20.5	9.6	16.5	9	21	9.9
10"	1550	15.5	9	20	9.4	16.3	9	20.5	9.8	17.1	12	21.5	10.5	17.9	12	22.5	10.9	18.7	12	23	11.3
12"	3000	17.5	12	21	12.1	18.3	12	22	12.5	19.1	12	22.5	12.9	19.9	12	23.5	13.3	20.7	12	24.5	13.7
14"	3300	18.8	12	23	12.9	19.6	12	24	13.3	20.3	12	24.5	13.6	21.1	12	25.5	14	21.9	12	26.5	14.4
16"	3800	20.8	12	25.5	13.9	21.6	12	26.5	14.3	22.3	12	27	14.6	23.1	12	28	15	23.9	12	29	15.4
18"	4250	22.8	12	27.5	15	23.6	12	28.5	15.4	24.3	12	29	15.8	25.1	12	30	16.6	25.9	12	31	17
20"	4750	24.8	12	31.5	16.4	25.6	12	32.5	16.8	26.3	12	33	17.2	27.1	12	34	17.6	27.9	12	35	18
24"	8850	28.8	15	37.5	19.7	29.6	15	38.5	20.1	30.3	15	39	20.4	31.1	15	40	20.8	31.9	15	41	21.2
30"	11050	34.8	15	43.5	22.9	35.6	15	44.5	23.3	36.3	15	45	23.7	37.1	15	46	24.1	37.9	15	47	24.5
36"	13250	40.8	15	50	26.2	41.6	15	51	26.6	42.3	15	51.5	26.9	43.1	15	52.5	28.2	43.9	15	53	28.6
42"	15500	46.8	15	56	30.1	47.6	15	57	30.5	48.3	15	57.5	30.8	49.1	15	58.5	31.2	49.9	15	59	31.6

Applications & Features:

- Temperature range to -460 Deg F to 195 Deg F
- Higher temperature applications available
- Design loads based on a safety factor of 5
- A36 steel construction
- See technical specification RCS-750
- Test results available upon request
- Steel finish available in galvanized finish or painted
- Increased loading capability available. Contact Rilco for additional information
- Support constructed in accordance with ASME B31.1, B31.3 and MSS-SP58
- A307 or A193 B7 plated bolts/studs

For special applications or for information on other insulation thicknesses or pipe sizes, please contact us!

Ordering Instructions:

- To Order, Please Specify:
- Model Number
 - Nominal Pipe Size
 - Insulation Thickness
 - E
 - Support Length (F)
 - Vertical Load
 - Movements

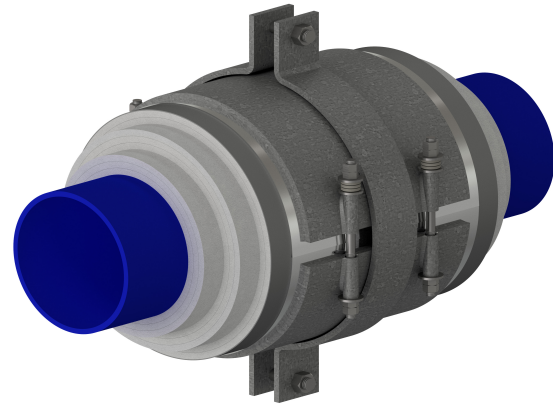
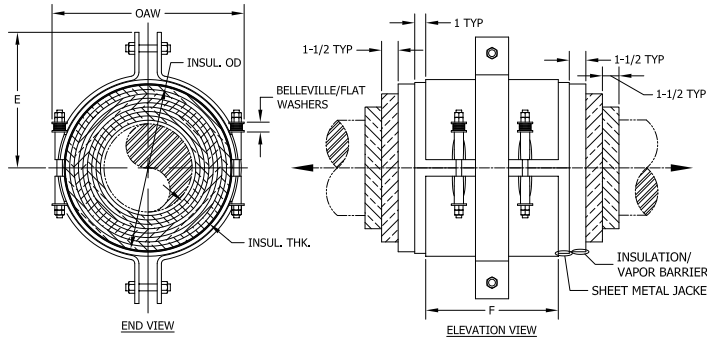
* See page 69 of this catalog for new designation model number construction.

** Information presented on this page subject to change without notice.

CHCW - 8 x 30 - 9 - 6.9 - 1200

DESIGNATION EXAMPLE

Model No. Nominal Pipe Size Insulation Thickness Support Length (F) E (in) Vertical Load



NOTES:

1) All dimensions in inches unless noted.

PIPE SIZE	VERT. LOAD (lbs)	INSULATION THICKNESS																			
		110mm				120mm				130mm				140mm				150mm			
		INSUL. OD (in)	F (in)	OAW (in)	E (in)	INSUL. OD (in)	F (in)	OAW (in)	E (in)	INSUL. OD (in)	F (in)	OAW (in)	E (in)	INSUL. OD (in)	F (in)	OAW (in)	E (in)	INSUL. OD (in)	F (in)	OAW (in)	E (in)
Do you need special loads or dimensions for this design? Please contact us at (713) 466-4777 or sales@rilco.com!																					
1"	60	10	9	12.5	6.3	10.8	9	13.5	6.7	11.6	9	14	7.1	12.4	9	15	7.5	13.2	9	15.5	7.9
1-1/2"	90	10.6	9	13	6.6	11.4	9	14	7	12.2	9	14.5	7.4	13	9	15.5	7.8	13.8	9	16	8.2
2"	130	11.1	9	13.5	6.8	11.9	9	14.5	7.2	12.7	9	15	7.6	13.4	9	16	8	14.2	9	16.5	8.4
2-1/2"	195	11.6	9	14	7.1	12.4	9	15	7.5	13.2	9	15.5	7.9	13.9	9	16.5	8.2	14.7	9	17.5	8.6
3"	235	12.2	9	15	7.4	13	9	16	7.8	13.8	9	16.5	8.2	14.6	9	17.5	8.6	15.4	9	18.5	9
4"	305	13.2	9	17.5	7.9	14	9	18.5	8.3	14.8	9	19.5	8.7	15.6	9	20	9.1	16.4	9	21	9.5
6"	670	15.3	9	19.5	8.9	16.1	9	20.5	9.3	16.9	9	21.5	9.7	17.7	9	22	10.4	18.5	9	23	10.8
8"	1200	17.3	9	22	10.3	18.1	9	22.5	10.7	18.9	9	23.5	11.1	19.7	9	24	11.5	20.5	9	25	11.9
10"	1550	19.5	12	24	11.7	20.2	12	24.5	12	21	12	25.5	12.4	21.8	12	26	12.8	22.6	12	27	13.2
12"	3000	21.5	12	25	14.1	22.2	12	26	14.5	23	12	26.5	14.9	23.8	12	27.5	15.3	24.6	12	28.5	15.7
14"	3300	22.7	12	27	14.8	23.5	12	28	15.2	24.3	12	28.5	15.6	25.1	12	29.5	16	25.9	12	30.5	16.4
16"	3800	24.7	12	29.5	15.8	25.5	12	30.5	16.2	26.3	12	31	16.6	27.1	12	32	17.5	27.9	12	33	17.9
18"	4250	26.7	12	31.5	17.4	27.5	12	32.5	17.8	28.3	12	33	18.2	29.1	12	34	18.6	29.9	12	35	19
20"	4750	28.7	12	35.5	18.4	29.5	15	36.5	18.8	30.3	15	37	19.2	31.1	15	38	19.6	31.9	15	39	20
24"	8850	32.7	15	41.5	21.6	33.5	15	42.5	22	34.3	15	43	22.4	35.1	15	44	22.8	35.9	15	45	23.2
30"	11050	38.7	15	47.5	24.9	39.5	15	48.5	25.3	40.3	15	49	25.7	41.1	15	50	26.1	41.9	15	51	26.5
36"	13250	44.7	15	54	29	45.5	15	54.5	29.4	46.3	15	55.5	29.8	47.1	15	56.5	30.2	47.9	15	57	30.6
42"	15500	50.7	15	60	32	51.5	15	60.5	32.4	52.3	15	61.5	32.8	53.1	15	62.5	34.1	53.9	15	63	34.5

Applications & Features:

- Temperature range to -460 Deg F to 195 Deg F
- Higher temperature applications available
- Design loads based on a safety factor of 5
- A36 steel construction
- See technical specification RCS-750
- Test results available upon request
- Steel finish available in galvanized finish or painted
- Increased loading capability available. Contact Rilco for additional information
- Support constructed in accordance with ASME B31.1, B31.3 and MSS-SP58
- A307 or A193 B7 plated bolts/studs

For special applications or for information on other insulation thicknesses or pipe sizes, please contact us!

Ordering Instructions:

- To Order, Please Specify:
- Model Number
 - Nominal Pipe Size
 - Insulation Thickness
 - E
 - Support Length (F)
 - Vertical Load
 - Movements

* See page 69 of this catalog for new designation model number construction.

** Information presented on this page subject to change without notice.