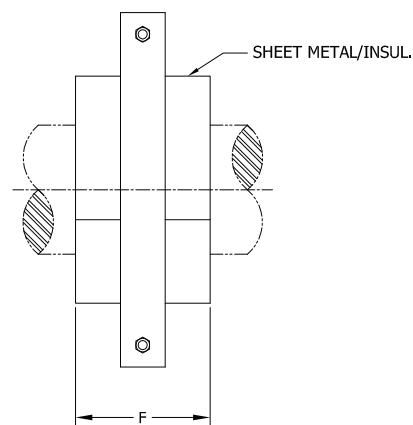
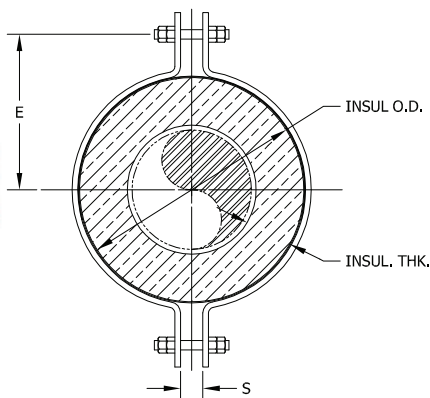
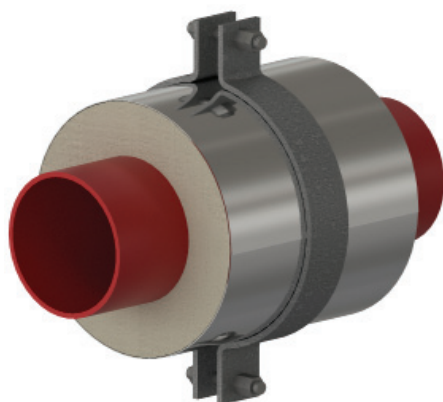


HHCS - 1 x 1.5 - 4 - 90

Model No. Nominal Pipe Size Insulation Thickness F (in) Vertical Load

NEW DESIGNATION EXAMPLE

LEGACY DESIGNATION HH-2000



PIPE SIZE	VERT LOAD (Lbs)	INSULATION THICKNESS																			
		1"				1-1/2"				2"				2-1/2"				3"			
		F (in)	INSUL OD (in)	E (in)	S (in)	F (in)	INSUL OD (in)	E (in)	S (in)	F (in)	INSUL OD (in)	E (in)	S (in)	F (in)	INSUL OD (in)	E (in)	S (in)	F (in)	INSUL OD (in)	E (in)	S (in)
1/2"	65	6	3.5	3.125	0.875	6	4.5	3.75	0.875	6	5.563	4.25	0.875	6	6.625	4.75	0.875	6	7.625	5.25	0.875
3/4"	75	6	4	3.375	0.875	6	5	4	0.875	6	6.625	4.75	0.875	6	7.625	5.25	0.875	6	8.625	5.875	0.875
1"	90	6	4.5	3.75	0.875	6	5.563	4.25	0.875	6	6.625	4.75	0.875	6	7.625	5.25	0.875	6	8.625	5.875	0.875
1-1/2"	150	6	5	4	0.875	6	6.625	4.75	0.875	6	7.625	5.25	0.875	6	8.625	5.875	0.875	6	9.625	6.375	0.875
2"	245	6	5.563	4.25	0.875	6	6.625	4.75	0.875	6	7.625	5.25	0.875	6	8.625	5.875	0.875	6	9.625	6.375	0.875
2-1/2"	290	6	6.625	4.75	0.875	6	7.625	5.25	0.875	6	8.625	5.875	0.875	6	9.625	6.375	0.875	6	10.75	6.875	0.875
3"	365	6	8.625	6.25	0.875	6	9.625	6.75	0.875	6	10.75	7.375	0.875	6	11.75	7.875	0.875	6	12.75	8.375	0.875
4"	475	6	10.75	7.375	0.875	6	11.75	7.875	0.875	6	12.75	8.375	0.875	6	14	9.125	0.875	6	15	9.75	0.875

Applications & Features:

- Insulated Pipe Support with a Heavy Duty 2-Bolt Pipe Clamp
- For use with standard pipe hanger hardware
- Temperature range to 1200 Deg F
- Higher temperature applications available
- Support and insulate steam, hot water, chilled water, gas and HVAC lines
- Low installation costs
- A-36 clamp available in galvanized or painted finishes
- Water-resistant calcium silicate
- Galvanized steel jacket
- Support constructed in accordance with MSS-SP58
- A307 or A193 B7 Plated bolts/studs
- For special applications or for information on other insulation thicknesses or pipe sizes, please contact us.

Ordering Instructions:

To Order, Please Specify:

- Model Number
- Nominal Pipe Size
- Insulation Thickness
- Vertical Load
- Operating Temperature

* See last page of this document for new designation model number construction

** Information presented on this page subject to change without notice.

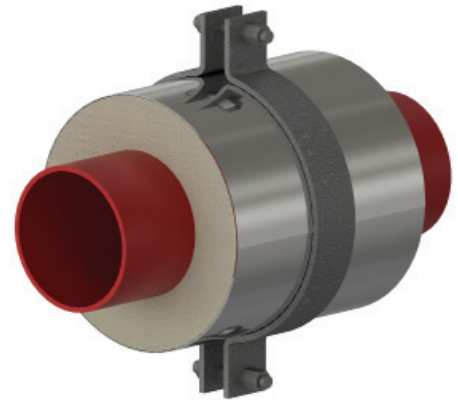
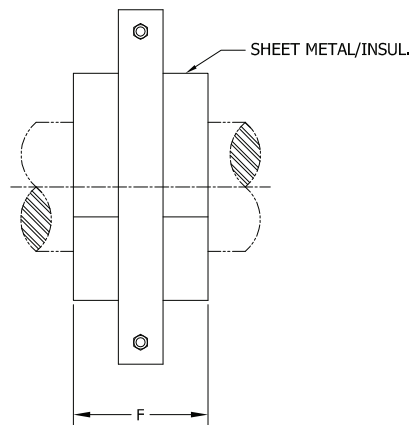
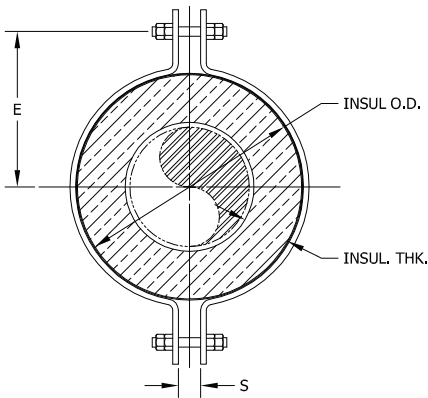


HHCS - 1 x 1.5 - 4 - 90

Model No. Nominal Pipe Size Insulation Thickness F (in) Vertical Load

NEW DESIGNATION
EXAMPLE

LEGACY DESIGNATION **HH-2000**



PIPE SIZE	VERT LOAD (Lbs)	INSULATION THICKNESS																							
		3-1/2"				4"				4-1/2"				5"				5-1/2"							
		F (in)	INSUL OD (in)	E (in)	S (in)	F (in)	INSUL OD (in)	E (in)	S (in)	F (in)	INSUL OD (in)	E (in)	S (in)	F (in)	INSUL OD (in)	E (in)	S (in)	F (in)	INSUL OD (in)	E (in)	S (in)				
1/2"	65	6	8.625	5.875	0.875	6	9.625	6.375	0.875	6	10.75	6.875	0.875	6	11.75	7.375	0.875	6	12.75	7.875	0.875	6	14	8.5	0.875
3/4"	75	6	9.625	6.375	0.875	6	10.75	6.875	0.875	6	11.75	7.375	0.875	6	12.75	7.875	0.875	6	13.75	8.375	0.875	6	14	8.5	0.875
1"	90	6	9.625	6.375	0.875	6	10.75	6.875	0.875	6	11.75	7.375	0.875	6	12.75	7.875	0.875	6	13.75	8.375	0.875	6	14	8.5	0.875
1-1/2"	150	6	10.75	6.875	0.875	6	11.75	7.375	0.875	6	12.75	7.875	0.875	6	14	8.5	0.875	6	15	9	0.875	6	15	9	0.875
2"	245	6	10.75	6.875	0.875	6	11.75	7.375	0.875	6	12.75	7.875	0.875	6	14	8.5	0.875	6	15	9	0.875	6	15	9	0.875
2-1/2"	290	6	11.75	7.375	0.875	6	12.75	7.875	0.875	6	14	8.5	0.875	6	15	9	0.875	6	16	9.5	0.875	6	16	9.5	0.875
3"	365	6	14	9.125	0.875	6	15	9.75	0.875	6	16	10.25	0.875	6	17	10.75	0.875	6	18	11.25	0.875	6	18	11.25	0.875
4"	475	6	16	10.25	0.875	6	17	10.75	0.875	6	18	11.25	0.875	6	19	11.75	0.875	6	20	12.25	0.875	6	20	12.25	0.875

Applications & Features:

- Insulated Pipe Support with a Heavy Duty 2-Bolt Pipe Clamp
- For use with standard pipe hanger hardware
- Temperature range to 1200 Deg F
- Higher temperature applications available
- Support and insulate steam, hot water, chilled water, gas and HVAC lines
- Low installation costs
- A-36 clamp available in galvanized or painted finishes
- Water-resistant calcium silicate
- Galvanized steel jacket
- Support constructed in accordance with MSS-SP58
- A307 or A193 B7 Plated bolts/studs
- For special applications or for information on other insulation thicknesses or pipe sizes, please contact us.

Ordering Instructions:

To Order, Please Specify:

- Model Number
- Nominal Pipe Size
- Insulation Thickness
- Vertical Load
- Operating Temperature

* See last page of this document for new designation model number construction

** Information presented on this page subject to change without notice.



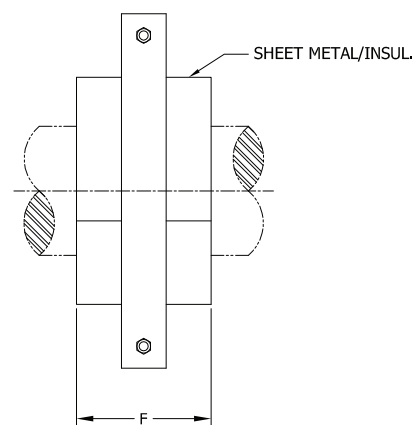
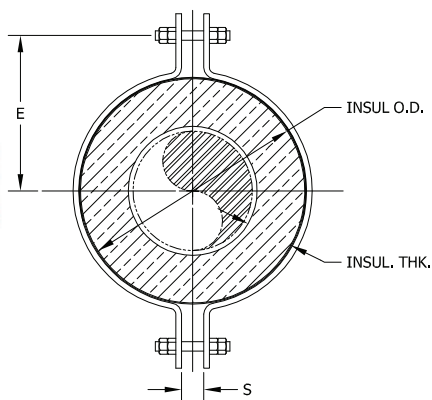
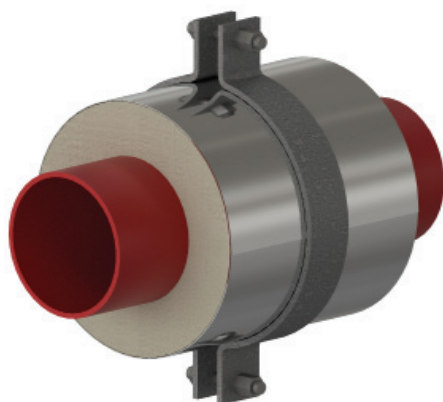
www.rilco.com

HHCS - 1 x 1.5 - 4 - 90

Model No. Nominal Pipe Size Insulation Thickness F (in) Vertical Load

NEW DESIGNATION EXAMPLE

LEGACY DESIGNATION HH-2000



PIPE SIZE	VERT LOAD (Lbs)	INSULATION THICKNESS																											
		6"				6-1/2"				7"				7-1/2"				8"											
		F (in)	INSUL OD (in)	E (in)	S (in)	F (in)	INSUL OD (in)	E (in)	S (in)	F (in)	INSUL OD (in)	E (in)	S (in)	F (in)	INSUL OD (in)	E (in)	S (in)	F (in)	INSUL OD (in)	E (in)	S (in)								
1/2"	65	6	14	8.5	0.875	6	15	9	0.875	6	16	9.5	0.875	6	17	10.25	0.875	6	18	10.75	0.875	6	19	11.25	0.875	6	20	11.75	0.875
3/4"	75	6	15	9	0.875	6	16	9.5	0.875	6	17	10.25	0.875	6	18	10.75	0.875	6	19	11.25	0.875	6	20	11.75	0.875	6	21	12.25	0.875
1"	90	6	15	9	0.875	6	16	9.5	0.875	6	17	10.25	0.875	6	18	10.75	0.875	6	19	11.25	0.875	6	20	11.75	0.875	6	21	12.25	0.875
1-1/2"	150	6	16	9.5	0.875	6	17	10.25	0.875	6	18	10.75	0.875	6	19	11.25	0.875	6	20	11.75	0.875	6	21	12.25	0.875	6	22	12.75	0.875
2"	245	6	16	9.5	0.875	6	17	10.25	0.875	6	18	10.75	0.875	6	19	11.25	0.875	6	20	11.75	0.875	6	21	12.25	0.875	6	22	12.75	0.875
2-1/2"	290	6	17	10.25	0.875	6	18	10.75	0.875	6	19	11.25	0.875	6	20	11.75	0.875	6	21	12.25	0.875	6	22	12.75	0.875	6	23	13.25	0.875
3"	365	6	19	11.75	0.875	6	20	12.25	0.875	6	21	12.75	0.875	6	22	13.25	0.875	6	23	13.75	0.875	6	24	14.25	0.875	6	25	14.75	0.875
4"	475	6	21	13.75	0.875	6	22	14.25	0.875	6	23	14.75	0.875	6	24	15.25	0.875	6	25	15.75	0.875	6	26	16.25	0.875	6	27	16.75	0.875

Applications & Features:

- Insulated Pipe Support with a Heavy Duty 2-Bolt Pipe Clamp
- For use with standard pipe hanger hardware
- Temperature range to 1200 Deg F
- Higher temperature applications available
- Support and insulate steam, hot water, chilled water, gas and HVAC lines
- Low installation costs
- A-36 clamp available in galvanized or painted finishes
- Water-resistant calcium silicate
- Galvanized steel jacket
- Support constructed in accordance with MSS-SP58
- A307 or A193 B7 Plated bolts/studs
- For special applications or for information on other insulation thicknesses or pipe sizes, please contact us.

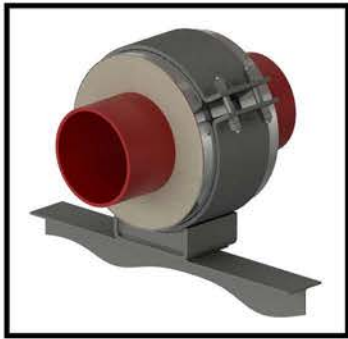
Ordering Instructions:

To Order, Please Specify:

- Model Number
- Nominal Pipe Size
- Insulation Thickness
- Vertical Load
- Operating Temperature

* See last page of this document for new designation model number construction

** Information presented on this page subject to change without notice.



HSCS - 6x3-4-18-3500-1200-2000

TEMPERATURE CLASSIFICATION

HOT (H) - (typical range 0°F to 1200°F)

COLD (C) - (typical range -450°F to 200°F)

DUAL TEMP (D) - (typical range -450°F to 1200°F)

FUNCTION

SLIDE (S) (for vertically restrained pipe)
i.e. HSPW-3x1.5-4-12-2100

GUIDE (G) (for vertically and laterally restrained pipe)
i.e. HGPW-6x1.5-4-6-1275-450

- **GUIDE (L)** (for vertically and laterally restrained pipe, allows uplift of piping)
i.e. HG(L)PW-1x1.5-4-6-225-80

- **GUIDE (M)** (for vertically and laterally restrained pipe, guided at cradle)
i.e. HG(M)PW-1x1.5-4-6-225-80

ANCHOR (A) (for vertically, laterally and axially restrained pipe)
i.e. HAPW-4x1.5-4-6-840-295-1730

HANGING (H) (for vertically restrained pipe)
i.e. HHPW-3x1.5-4-12-2100

RISER (V) (for vertically restrained pipe)
i.e. HVPW-3x1.5-4-12-2100

FLAT (F) (for vertically restrained pipe)
i.e. HFPW-3x1.5-4-12-2100

ROLLER (R) (for vertically restrained pipe)
i.e. HRPW-3x1.5-4-12-2100

INSULATION TYPE

Calcium Silicate (CS)

PyroWrap (PW) (Aspen Aerogels Pyrogel® XT-E)

Polyurethane Foam (PF)

FOAMGLAS® (FG)

CryoWrap (CW) (Aspen Aerogels Cryogel® Z)

AXIAL LOAD (lbs)

LATERAL LOAD (lbs)

VERTICAL LOAD (lbs)

STEEL LENGTH (in)

BOP (in)

INSULATION THICKNESS (in)

PIPE SIZE (in)