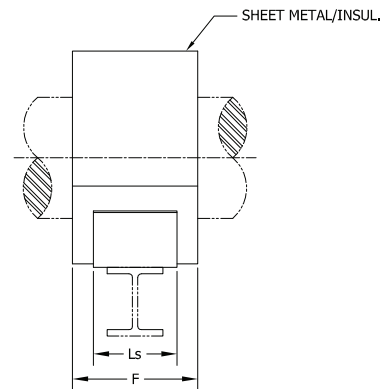
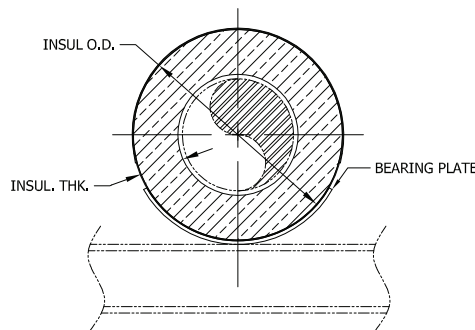
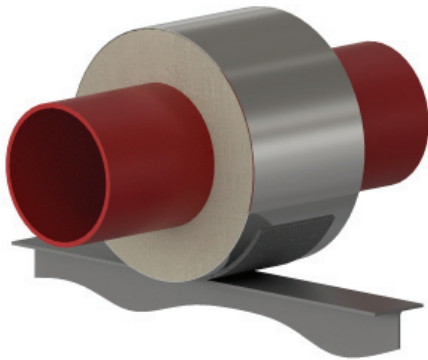


# HFCS - 4 x 1.5 - 9 - 1050

Model No.    Nominal Pipe Size    Insulation Thickness    F (in)    Vertical Load

## NEW DESIGNATION EXAMPLE

## LEGACY DESIGNATION HF-7400



PIPE SIZE	VERT LOAD (Lbs)	INSULATION THICKNESS																							
		1"			1-1/2"			2"			2-1/2"			3"			3-1/2"			4"					
		F (in)	INSUL OD (in)	Ls	F (in)	INSUL OD (in)	Ls	F (in)	INSUL OD (in)	Ls	F (in)	INSUL OD (in)	Ls	F (in)	INSUL OD (in)	Ls	F (in)	INSUL OD (in)	Ls	F (in)	INSUL OD (in)	Ls			
2"	600	9	4.5	6	9	5.563	6	9	6.625	6	9	7.625	6	9	8.625	6	9	9.625	6	9	10.75	6			
2-1/2"	660	9	5	6	9	6.625	6	9	7.625	6	9	8.625	6	9	9.625	6	9	10.75	6	9	11.75	6			
3"	800	9	5.56	6	9	6.625	6	9	7.625	6	9	8.625	6	9	9.625	6	9	10.75	6	9	11.75	6			
4"	1050	9	6.625	6	9	7.625	6	9	8.625	6	9	9.625	6	9	10.75	6	9	11.75	6	9	12.75	6			
6"	1500	9	8.625	6	9	9.625	6	9	10.75	6	9	11.75	6	9	12.75	6	9	14	6	9	15	6			
8"	2000	9	10.75	6	9	11.75	6	9	12.75	6	9	14	6	9	15	6	9	16	6	9	17	6			
10"	21000	9	12.75	6	9	14	6	9	15	6	9	16	6	9	17	6	9	18	6	9	19	6			
12"	3400	9	15	6	9	16	6	9	17	6	9	18	6	9	19	6	9	20	6	9	21	6			
14"	3900	9	16	6	9	17	6	9	18	6	9	19	6	9	20	6	9	21	6	9	22	6			
16"	4400	9	18	6	9	19	6	9	20	6	9	21	6	9	22	6	9	23	6	9	24	6			
18"	4800	9	20	6	9	21	6	9	22	6	9	23	6	9	24	6	9	25	6	9	26	6			
20"	5100	9	22	6	9	23	6	9	24	6	9	25	6	9	26	6	9	27	6	9	28	6			
24"	5500	9	26	6	9	27	6	9	28	6	9	29	6	9	30	6	9	31	6	9	32	6			
30"	5500	9	32	6	9	33	6	9	34	6	9	35	6	9	36	6	9	37	6	9	38	6			
36"	8300	9	38	6	9	39	6	9	40	6	9	41	6	9	42	6	9	43	6	9	44	6			
42"	9700	9	44	6	9	45	6	9	46	6	9	47	6	9	48	6	9	49	6	9	50	6			

### Applications & Features:

- Light duty insulated pipe support
- For use on flat support surfaces
- Temperature range to 500 Deg F
- Higher temperature applications available
- Support and insulate steam, hot water, chilled water, gas and HVAC lines
- Low installation costs
- Water-resistant calcium silicate
- Galvanized steel jacket
- Support constructed in accordance with MSS-SP58
- For special applications or for information on other insulation thicknesses or pipe sizes, please contact us.

### Ordering Instructions:

To Order, Please Specify:

- Model Number
- Nominal Pipe Size
- Insulation Thickness
- Vertical Load
- Operating Temperature

\* See last page of this document for new designation model number construction

\*\* Information presented on this page subject to change without notice.

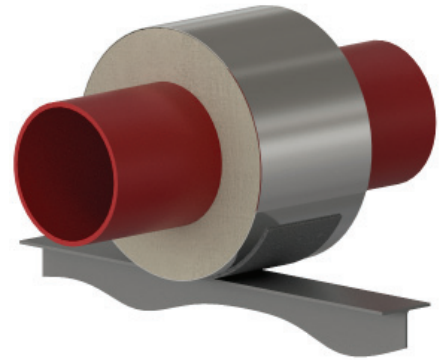
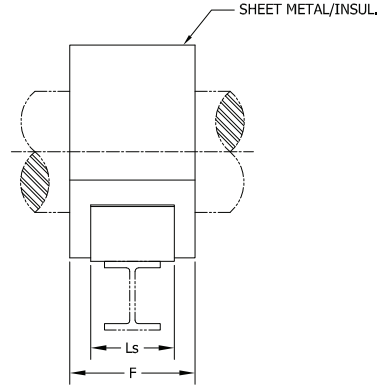
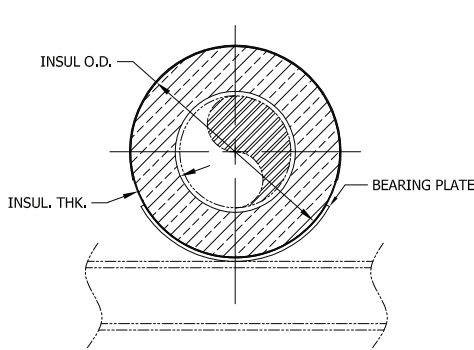


# HFCS - 4 x 1.5 - 9 - 1050

NEW DESIGNATION  
EXAMPLE

LEGACY DESIGNATION HF-7400

Model No.    Nominal Pipe Size    Insulation Thickness    F (in)    Vertical Load



PIPE SIZE	VERT LOAD (Lbs)	INSULATION THICKNESS																							
		4-1/2"			5"			5-1/2"			6"			6-1/2"			7"			7-1/2"			8"		
		F (in)	INSUL OD (in)	Ls	F (in)	INSUL OD (in)	Ls	F (in)	INSUL OD (in)	Ls	F (in)	INSUL OD (in)	Ls	F (in)	INSUL OD (in)	Ls	F (in)	INSUL OD (in)	Ls	F (in)	INSUL OD (in)	Ls	F (in)	INSUL OD (in)	Ls
2"	600	9	11.75	6	9	12.75	6	9	14	6	9	15	6	9	16	6	9	17	6	9	18	6	9	19	6
2-1/2"	660	9	12.75	6	9	14	6	9	15	6	9	16	6	9	17	6	9	18	6	9	19	6	9	20	6
3"	800	9	12.75	6	9	14	6	9	15	6	9	16	6	9	17	6	9	18	6	9	19	6	9	20	6
4"	1050	9	14	6	9	15	6	9	16	6	9	17	6	9	18	6	9	19	6	9	20	6	9	21	6
6"	1500	9	16	6	9	17	6	9	18	6	9	19	6	9	20	6	9	21	6	9	22	6	9	23	6
8"	2000	9	18	6	9	19	6	9	20	6	9	21	6	9	22	6	9	23	6	9	24	6	9	25	6
10"	21000	9	20	6	9	21	6	9	22	6	9	23	6	9	24	6	9	25	6	9	26	6	9	27	6
12"	3400	9	22	6	9	23	6	9	24	6	9	25	6	9	26	6	9	27	6	9	28	6	9	29	6
14"	3900	9	23	6	9	24	6	9	25	6	9	26	6	9	27	6	9	28	6	9	29	6	9	30	6
16"	4400	9	25	6	9	26	6	9	27	6	9	28	6	9	29	6	9	30	6	9	31	6	9	32	6
18"	4800	9	27	6	9	28	6	9	29	6	9	30	6	9	31	6	9	32	6	9	33	6	9	34	6
20"	5100	9	29	6	9	30	6	9	31	6	9	32	6	9	33	6	9	34	6	9	35	6	9	36	6
24"	5500	9	33	6	9	34	6	9	35	6	9	36	6	9	37	6	9	38	6	9	39	6	9	40	6
30"	5500	9	39	6	9	40	6	9	41	6	9	42	6	9	43	6	9	44	6	9	45	6	9	46	6
36"	8300	9	45	6	9	46	6	9	47	6	9	48	6	9	49	6	9	50	6	9	51	6	9	52	6
42"	9700	9	51	6	9	52	6	9	53	6	9	54	6	9	55	6	9	56	6	9	57	6	9	58	6

### Applications & Features:

- Light duty insulated pipe support
- For use on flat support surfaces
- Temperature range to 500 Deg F
- Higher temperature applications available
- Support and insulate steam, hot water, chilled water, gas and HVAC lines
- Low installation costs
- Water-resistant calcium silicate
- Galvanized steel jacket
- Support constructed in accordance with MSS-SP58
- For special applications or for information on other insulation thicknesses or pipe sizes, please contact us.

### Ordering Instructions:

To Order, Please Specify:

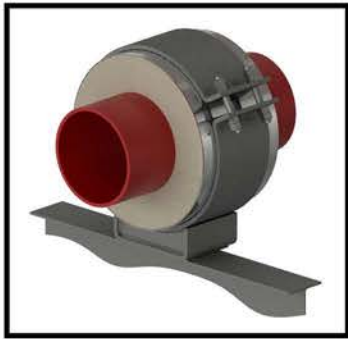
- Model Number
- Nominal Pipe Size
- Insulation Thickness
- Vertical Load
- Operating Temperature

\* See last page of this document for new designation model number construction

\*\* Information presented on this page subject to change without notice.



www.rilco.com



# HSCS - 6x3-4-18-3500-1200-2000

## TEMPERATURE CLASSIFICATION

**HOT (H)** - (typical range 0°F to 1200°F)

**COLD (C)** - (typical range -450°F to 200°F)

**DUAL TEMP (D)** - (typical range -450°F to 1200°F)

## FUNCTION

**SLIDE (S)** (for vertically restrained pipe)  
i.e. HSPW-3x1.5-4-12-2100

**GUIDE (G)** (for vertically and laterally restrained pipe)  
i.e. HGPW-6x1.5-4-6-1275-450

- **GUIDE (L)** (for vertically and laterally restrained pipe, allows uplift of piping)  
i.e. HG(L)PW-1x1.5-4-6-225-80

- **GUIDE (M)** (for vertically and laterally restrained pipe, guided at cradle)  
i.e. HG(M)PW-1x1.5-4-6-225-80

**ANCHOR (A)** (for vertically, laterally and axially restrained pipe)  
i.e. HAPW-4x1.5-4-6-840-295-1730

**HANGING (H)** (for vertically restrained pipe)  
i.e. HHPW-3x1.5-4-12-2100

**RISER (V)** (for vertically restrained pipe)  
i.e. HVPW-3x1.5-4-12-2100

**FLAT (F)** (for vertically restrained pipe)  
i.e. HFPW-3x1.5-4-12-2100

**ROLLER (R)** (for vertically restrained pipe)  
i.e. HRPW-3x1.5-4-12-2100

## INSULATION TYPE

Calcium Silicate (CS)

PyroWrap (PW) (Aspen Aerogels Pyrogel® XT-E)

Polyurethane Foam (PF)

FOAMGLAS® (FG)

CryoWrap (CW) (Aspen Aerogels Cryogel® Z)

AXIAL LOAD (lbs)

LATERAL LOAD (lbs)

VERTICAL LOAD (lbs)

STEEL LENGTH (in)

BOP (in)

INSULATION THICKNESS (in)

PIPE SIZE (in)